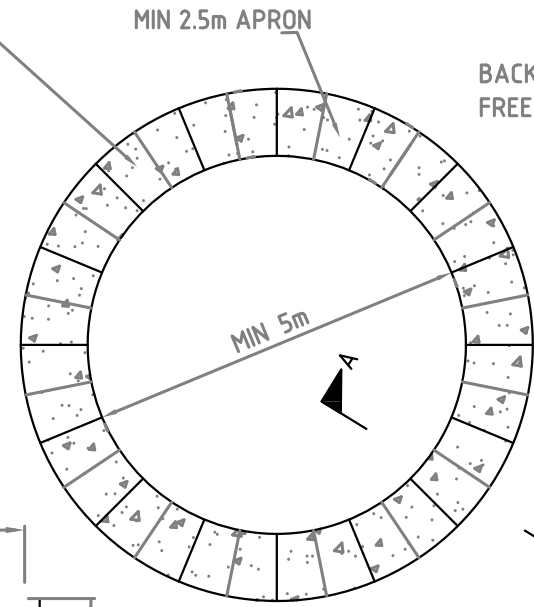
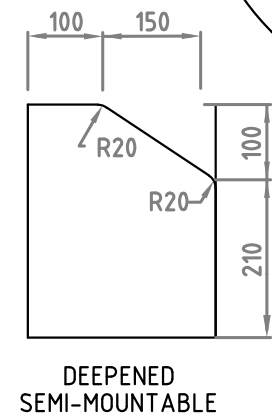
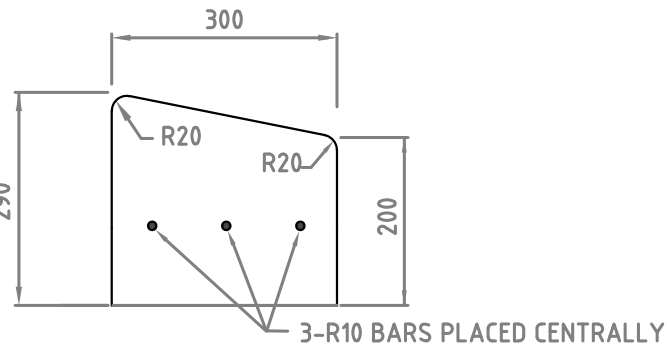
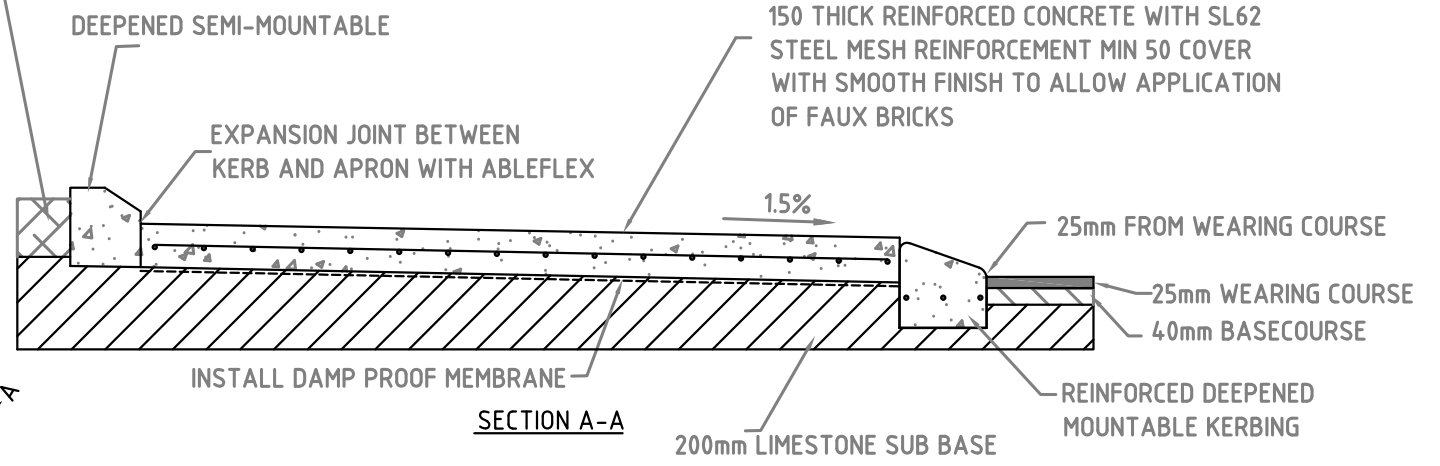


INSTALL 150mm THICK REINFORCED APRON (WITH FAUX BRICK FINISH) WITH EXPANSION JOINTS AT 5m CENTRES AND 50mm DEEP SAW CUT JOINTS AT 2.5m CENTRES ENSURE 50mm CLEARANCE TO THE MESH FROM JOINTS



BACKFILL WITH WEED FREE LANDSCAPE MIX



CITY OF COCKBURN
9 COLEVILLE CRESCENT,
SPEARWOOD WA 6163
PHONE: (08) 9411 3444

DESIGNED		NS	APPROVED		SCALE	AS SHOWN	JOB No	
DRAWN		NS	DATE		DWG No	2423B03	SHEET No	03
CHECKED								REV
								D

D	UPDATED CONCRETE APRON, KERBING DETAILS			6/09/23
C				31/08/18
B				9/11/07
A				21/8/03
Document Set ID: 6490848		Chk'd	App'd	Date
Version: 3, Version Date: 06/09/2023				

STANDARD DETAILS